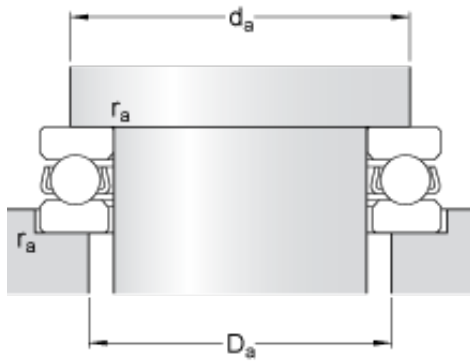




FTR BEARING WHOLESALE LTD



skf 51422 M Single direction thrust ball bearings

Bearing No. 51422 M

d	110 mm
D	230 mm
H	95 mm
d ₁	225 mm
D ₁	113 mm
r _{1,2} min.	3 mm
d _a min.	181 mm
D _a max.	159 mm
r _a max.	2.5 mm
Basic dynamic load rating C	410 kN
Basic static load rating C ₀	1220 kN
Fatigue load limit P _u	34.5 kN
Reference speed	900 r/min
Limiting speed	1300 r/min
Minimum load factor A	7.7
Mass bearing (including seat washer where applicable)	20 kg

51422 M Bearing 2D drawings and 3D CAD models