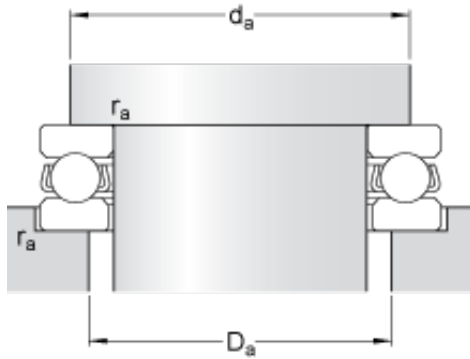




FTR BEARING WHOLESALE LTD



skf 511/900 M Single direction thrust ball bearings

Bearing No. 511/900 M

511/900 M Bearing 2D drawings and 3D CAD models

d	900 mm
D	1060 mm
H	130 mm
d ₁	1054 mm
D ₁	906 mm
r _{1,2} min.	5 mm
d _a min.	995 mm
D _a max.	965 mm
r _a max.	4 mm
Basic dynamic load rating C	1120 kN
Basic static load rating C ₀	10400 kN
Fatigue load limit P _u	125 kN
Reference speed	300 r/min
Limiting speed	430 r/min
Minimum load factor A	610
Mass bearing (including seat washer where applicable)	213 kg