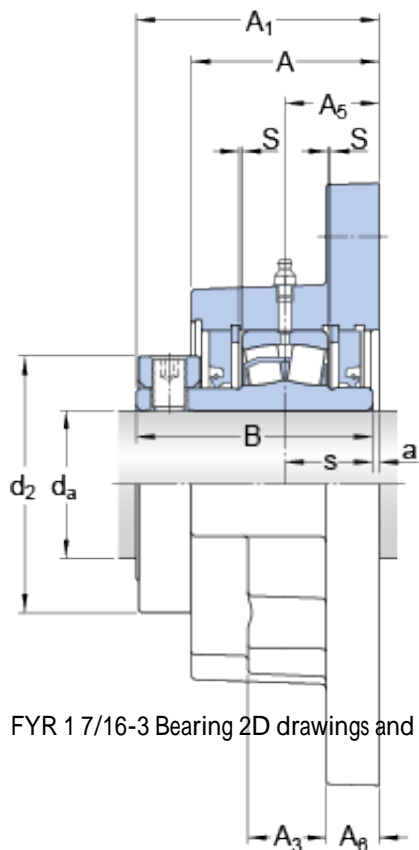




FTR BEARING WHOLESALE LTD

skf FYR 17/16-3 Roller bearing round flanged units for inch shafts

Bearing No. FYR 17/16-3



FYR 17/16-3 Bearing 2D drawings and 3D CAD models

Size	36.512x62.706x52.388 mm
Bore Diameter	36,512 mm
Outer Diameter	62,706 mm
Width	52,388 mm
d_a	36.512 mm
d_2	62.706 mm
A	52.388 mm
A_1	71.438 mm
A_3	19.05 mm
A_5	26.988 mm
A_6	19.05 mm
B	69.85 mm
a	2.381 mm
J	127 mm
L	158.75 mm
N_1	14.288 mm
s	25.4 mm
S	0.794 mm
Basic dynamic load rating - C	73.8 kN
Limiting speed	1700 r/min
d_a	36.513 mm
d_2	62.706 mm
A_1	71.438 mm
A_3	19.05 mm



FTR BEARING WHOLESALE LTD

A ₅	26.988 mm
A ₆	19.05 mm
N ₁	14.287 mm
Basic dynamic load rating C	73.8 kN
Mass bearing unit	3.86 kg
Attachment bolt diameter G	12.7 mm