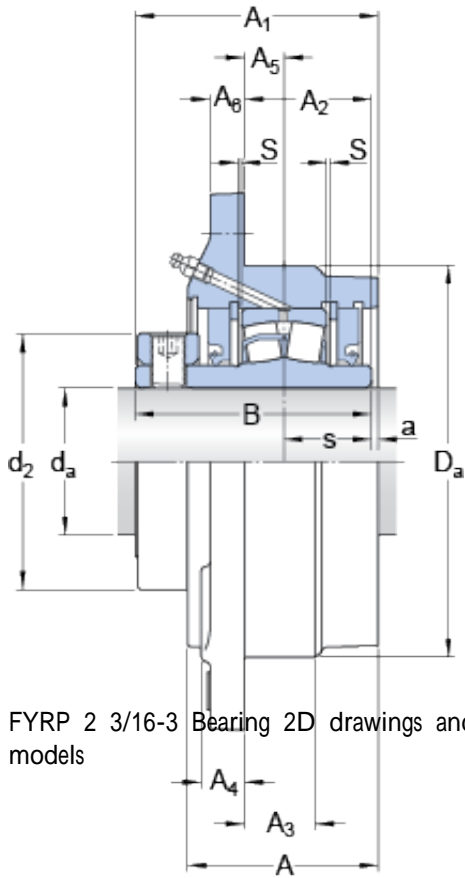




FTR BEARING WHOLESALE LTD

skf FYRP 2 3/16-3 Roller bearing piloted flanged units for inch shafts

Bearing No. FYRP 2 3/16-3



FYRP 2 3/16-3 Bearing 2D drawings and 3D CAD models

Size	55.562x82.55x127 mm
Bore Diameter	55,562 mm
Outer Diameter	82,55 mm
Width	127 mm
d_a	55.562 mm
d_2	82.55 mm
D_a	127 mm
A	65.088 mm
A_1	83.344 mm
A_2	42.069 mm
A_3	25.4 mm
A_4	18.256 mm
A_5	14.288 mm
A_6	14.288 mm
B	79.375 mm
a	4.762 mm
J	152.4 mm
L	180.975 mm
N_1	14.288 mm
s	28.575 mm
S	0.794 mm
Basic dynamic load rating - C	99.6 kN
Limiting speed	1300 r/min



FTR BEARING WHOLESALE LTD

d_a	55.563 mm
d_2	82.55 mm
D_a	127 mm
A_1	83.344 mm
A_2	42.069 mm
A_3	25.4 mm
A_4	18.256 mm
A_5	14.287 mm
A_6	14.287 mm
N_1	14.287 mm
Basic dynamic load rating C	99.6 kN
Mass bearing unit	4.49 kg
Attachment bolt diameter G	12.7 mm