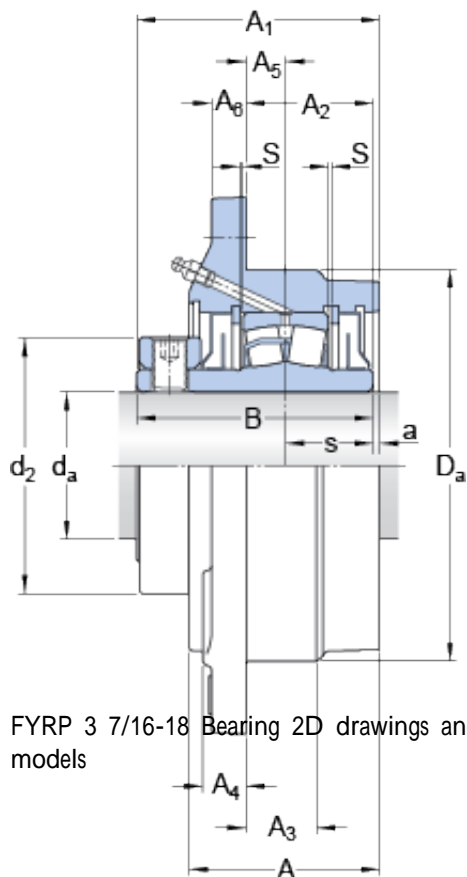




FTR BEARING WHOLESALE LTD

skf FYRP 3 7/16-18 Roller bearing piloted flanged units for inch shafts

Bearing No. FYRP 3 7/16-18



FYRP 3 7/16-18 Bearing 2D drawings and 3D CAD models

| | |
|-------------------------------|---------------------------|
| Size | 87.312x130.175x187.325 mm |
| Bore Diameter | 87,312 mm |
| Outer Diameter | 130,175 mm |
| Width | 187,325 mm |
| d_a | 87.312 mm |
| d_2 | 130.175 mm |
| D_a | 187.325 mm |
| A | 80.962 mm |
| A_1 | 106.362 mm |
| A_2 | 49.212 mm |
| A_3 | 31.75 mm |
| A_4 | 26.988 mm |
| A_5 | 13.494 mm |
| A_6 | 22.225 mm |
| B | 102.394 mm |
| a | 4.762 mm |
| J | 219.075 mm |
| L | 260.35 mm |
| N_1 | 20.638 mm |
| s | 36.512 mm |
| S | 0.794 mm |
| Basic dynamic load rating - C | 253 kN |
| | |



FTR BEARING WHOLESALE LTD

| | |
|-----------------------------|------------|
| Limiting speed | 2600 r/min |
| d_a | 87.313 mm |
| d_2 | 130.175 mm |
| D_a | 187.325 mm |
| A_1 | 106.362 mm |
| A_2 | 49.212 mm |
| A_3 | 31.75 mm |
| A_4 | 26.988 mm |
| A_5 | 13.494 mm |
| A_6 | 22.225 mm |
| N_1 | 20.637 mm |
| Basic dynamic load rating C | 253 kN |
| Mass bearing unit | 13.4 kg |
| Attachment bolt diameter G | 19.05 mm |