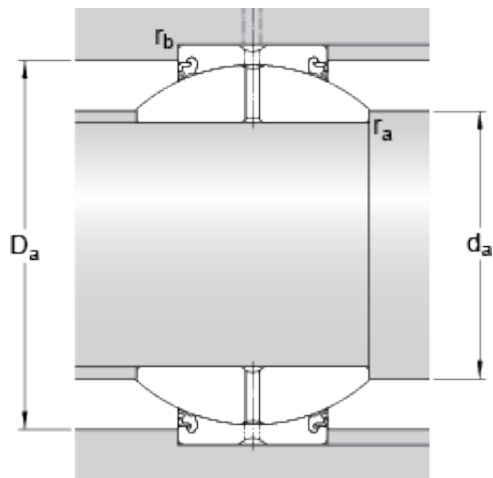




FTR BEARING WHOLESALE LTD



35 mm x 62 mm x 35 mm skf GEH 35 ESX-2LS Radial spherical plain bearings

Bearing No. GEH 35 ESX-2LS

GEH 35 ESX-2LS Bearing 2D drawings and 3D CAD models

Lubricant	Maintenance free – greased for life
Design (sliding contact surface combination)	Steel/steel
Sealing solution	Triple-lip seals
d	35 mm
D	62 mm
B	35 mm
C	22 mm
	15 °
d _k	53 mm
b	3.9 mm
b ₁	3.9 mm
M	2.5 mm
r ₁ min.	0.6 mm
r ₂ min.	1 mm
d _a min.	38.8 mm
d _a max.	39.8 mm
D _a min.	54.5 mm
D _a max.	57.8 mm
r _a max.	0.6 mm
r _b max.	1 mm
Basic dynamic load rating C	150 kN
Basic static load rating C ₀	500 kN
Specific dynamic load factor K	150 N/mm ²



FTR BEARING WHOLESALE LTD

Specific static load factor K_0	500 N/mm ²
Material constant K_M	330
Mass plain bearing	0.39 kg