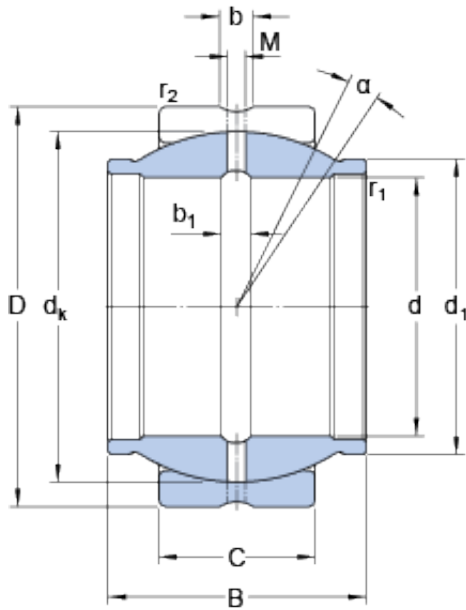




FTR BEARING WHOLESALE LTD

50 mm x 75 mm x 50 mm skf GEG 50 ES Radial spherical plain bearings

Bearing No. GEG 50 ES



GEG 50 ES Bearing 2D drawings and 3D CAD models

Size	75x50x50 mm
Bore Diameter	75 mm
Outer Diameter	50 mm
Width	50 mm
d	50 mm
D	75 mm
B	50 mm
C	28 mm
	4 °
d _k	66 mm
d ₁	57 mm
b	4.6 mm
b ₁	4.6 mm
M	3 mm
r ₁ - min.	0.6 mm
r ₂ - min.	1 mm
d _a - min.	55.9 mm
d _a - max.	57 mm
D _a - min.	62.7 mm
D _a - max.	70.5 mm
r _a - max.	0.6 mm
r _b - max.	1 mm
Basic dynamic load rating - C	156 kN
Basic static load rating - C ₀	780 kN



FTR BEARING WHOLESALE LTD

Specific factor dynamic load - K	100 N/mm ²
Specific factor static load - K ₀	500 N/mm ²
Constant - K _M	330
Category	Spherical Plain Bearings - Radial
Inventory	0.0
Manufacturer Name	SKF
Minimum Buy Quantity	N/A
Weight / Kilogram	0.56
EAN	7316577003164
Product Group	B04286
Self Aligning	Yes
Rolling Element	Spherical Plain
Material - Outer Member	Steel
Material - Ball	Steel
Material - Liner	Not Applicable
Relubricatable	Yes
Enclosure	Open
Other Features	2 Piece Extended Inner Ring on Both Sides Lubrication Hole and an Annular Groove in Both Rings
Long Description	50MM Bore; 28MM Housing Width; 75MM Outside Diameter; Spherical Plain; Steel Outer Member; Steel Ball; No Liner; 50MM Overall Width; Relubricatable
Inch - Metric	Metric
Category	Plain Bearings Spherical Radial
UNSPSC	31171515



FTR BEARING WHOLESALE LTD

Harmonized Tariff Code	8483.30.80.70
Noun	Bearing
Keyword 3	Spherical
Keyword String	Plain Spherical Radial
Manufacturer URL	http://www.skf.com
Manufacturer Item Number	GEG 50 ES
Weight / LBS	1.235
Bore	1.969 Inch 50 Millimeter
Overall Width	1.969 Inch 50 Millimeter
Outside Diameter	2.953 Inch 75 Millimeter
Housing Width	1.102 Inch 28 Millimeter
bore diameter:	50 mm
inner ring material:	Steel
outside diameter:	75 mm
outer ring width:	28 mm
misalignment angle:	4 °
grade:	Commercial/Industrial
inner ring width:	50 mm
overall width:	50 mm
bearing type:	Radial
radial static load capacity:	780 kN
lubrication type:	Requires Lubrication
radial dynamic load capacity:	156 kN
closure type:	Open
operating temperature range:	-50 to +200 ° C ° F
outer ring material:	Steel
manufacturer upc number:	7316577003164
Lubricant	Regular relubrication – grease
Design (sliding contact surface combination)	Steel/steel



FTR BEARING WHOLESALE LTD

Sealing solution	-
	4 °
d_k	66 mm
d_1	57 mm
b_1	4.6 mm
r_1 min.	0.6 mm
r_2 min.	1 mm
d_a min.	55.9 mm
d_a max.	57 mm
D_a min.	62.7 mm
D_a max.	70.5 mm
r_a max.	0.6 mm
r_b max.	1 mm
Basic dynamic load rating C	156 kN
Basic static load rating C_0	780 kN
Specific dynamic load factor K	100 N/mm ²
Specific static load factor K_0	500 N/mm ²
Material constant K_M	330
Mass plain bearing	0.56 kg