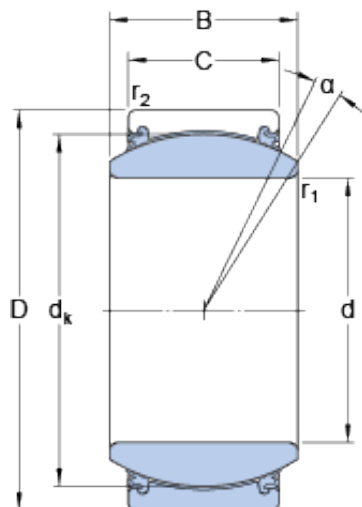




FTR BEARING WHOLESALE LTD

25.4 mm x 41.275 mm x 22.225 mm skf GEZ
100 TXE-2LS Radial spherical plain bearings

Bearing No. GEZ 100 TXE-2LS



GEZ 100 TXE-2LS Bearing 2D drawings and 3D CAD models

Size	41.275x25.4x22.225 mm
Bore Diameter	41,275 mm
Outer Diameter	25,4 mm
Width	22,225 mm
d	25.4 mm
D	41.275 mm
B	22.225 mm
C	19.05 mm
	6 °
d _k	36.5 mm
r ₁ - min.	0.3 mm
r ₂ - min.	1 mm
d _a - min.	27.6 mm
d _a - max.	28.9 mm
D _a - min.	36.8 mm
D _a - max.	37.1 mm
r _a - max.	0.3 mm
r _b - max.	1 mm
Basic dynamic load rating - C	83 kN
Basic static load rating - C ₀	166 kN
Specific factor dinamic load - K	150 N/mm ²
Specific factor static load - K ₀	300 N/mm ²
Lubricant	Maintenance free – dry



FTR BEARING WHOLESALE LTD

	Lubrication
Design (sliding contact surface combination)	Steel/PTFE fabric
Sealing solution	Triple-lip seals
	6 °
d_k	36.5 mm
r_1 min.	0.3 mm
r_2 min.	1 mm
d_a min.	27.6 mm
d_a max.	28.9 mm
D_a min.	36.8 mm
D_a max.	37.1 mm
r_a max.	0.3 mm
r_b max.	1 mm
Basic dynamic load rating C	83 kN
Basic static load rating C_0	166 kN
Specific dynamic load factor K	150 N/mm ²
Specific static load factor K_0	300 N/mm ²
Mass plain bearing	0.12 kg