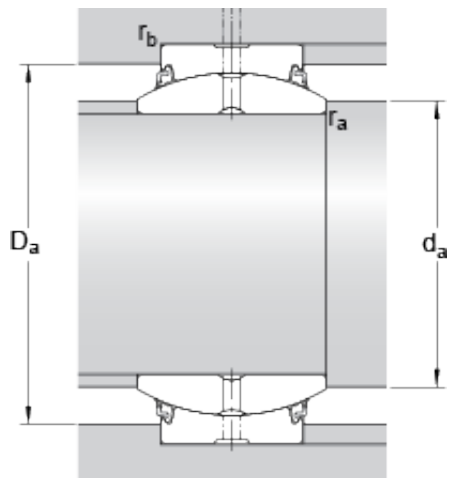




# FTR BEARING WHOLESALE LTD



50.8 mm x 80.963 mm x 44.45 mm skf GEZ 200  
ESL-2LS Radial spherical plain bearings

Bearing No. GEZ 200 ESL-2LS

GEZ 200 ESL-2LS Bearing 2D drawings and 3D CAD models

Lubricant	Regular relubrication – grease
Design (sliding contact surface combination)	Steel/steel, heavy-duty bearing
Sealing solution	Triple-lip seals
d	50.8 mm
D	80.963 mm
B	44.45 mm
C	38.1 mm
	6 °
d <sub>k</sub>	73.025 mm
b	4.8 mm
b <sub>1</sub>	5 mm
M	4 mm
r <sub>1</sub> min.	0.6 mm
r <sub>2</sub> min.	1 mm
d <sub>a</sub> min.	55.1 mm
d <sub>a</sub> max.	57.9 mm
D <sub>a</sub> min.	72.4 mm
D <sub>a</sub> max.	75.9 mm
r <sub>a</sub> max.	0.6 mm
r <sub>b</sub> max.	1 mm
Basic dynamic load rating C	224 kN
Basic static load rating C <sub>0</sub>	670 kN
Specific dynamic load factor K	100 N/mm <sup>2</sup>



## FTR BEARING WHOLESALE LTD

Specific static load factor $K_0$	300 N/mm <sup>2</sup>
Material constant $K_M$	330
Mass plain bearing	0.93 kg