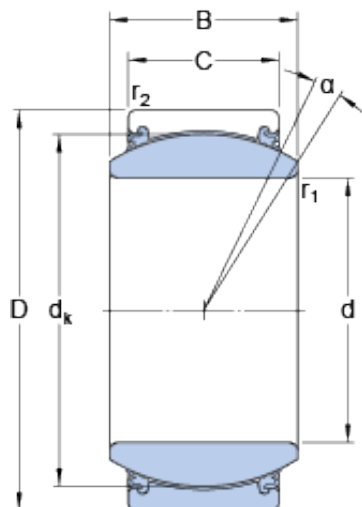




# FTR BEARING WHOLESALE LTD



90 mm x 130 mm x 60 mm skf GE 90 TXE-2LS  
Radial spherical plain bearings

Bearing No. GE 90 TXE-2LS

GE 90 TXE-2LS Bearing 2D drawings and 3D CAD models

Size	130x90x60 mm
Bore Diameter	130 mm
Outer Diameter	90 mm
Width	60 mm
d	90 mm
D	130 mm
B	60 mm
C	50 mm
	5 °
d <sub>k</sub>	115 mm
r <sub>1</sub> - min.	1 mm
r <sub>2</sub> - min.	1 mm
d <sub>a</sub> - min.	97.5 mm
d <sub>a</sub> - max.	98.1 mm
D <sub>a</sub> - min.	113 mm
D <sub>a</sub> - max.	123 mm
r <sub>a</sub> - max.	1 mm
r <sub>b</sub> - max.	1 mm
Basic dynamic load rating - C	1370 kN
Basic static load rating - C <sub>0</sub>	2320 kN
Specific factor dynamic load - K	300 N/mm <sup>2</sup>
Specific factor static load - K <sub>0</sub>	500 N/mm <sup>2</sup>
Category	Spherical Plain Bearings -



## FTR BEARING WHOLESALE LTD

	Radial
Inventory	0.0
Manufacturer Name	SKF
Minimum Buy Quantity	N/A
Weight / Kilogram	2.75
EAN	7316571901169
Product Group	B04264
Self Aligning	Yes
Rolling Element	Spherical Plain
Material - Outer Member	Steel
Material - Ball	Steel
Material - Liner	Teflon
Relubricatable	No
Enclosure	2 Seals
Other Features	2 Piece   Maintenance Free   Chrome Plated Ball   Self Lubricating   Triple Lip Heavy Duty Seals
Long Description	90MM Bore; 50MM Housing Width; 130MM Outside Diameter; Spherical Plain; Steel Outer Member; Steel Ball; Teflon Liner; 60MM Overall Width; Not Relubricatable
Inch - Metric	Metric
Category	Plain Bearings Spherical Radial
UNSPSC	31171515
Harmonized Tariff Code	8483.30.80.70
Noun	Bearing
Keyword 3	Spherical
Keyword String	Plain Spherical Radial
Manufacturer URL	<a href="http://www.skf.com">http://www.skf.com</a>
Manufacturer Item Number	GE 90 TXE-2LS



## FTR BEARING WHOLESALE LTD

Weight / LBS	6.063
Housing Width	1.969 Inch   50 Millimeter
Overall Width	2.362 Inch   60 Millimeter
Outside Diameter	5.118 Inch   130 Millimeter
Bore	3.543 Inch   90 Millimeter
bore diameter:	90 mm
inner ring material:	Steel
outside diameter:	130 mm
outer ring width:	50 mm
misalignment angle:	5 °
race material:	PTFE Composite
inner ring width:	60 mm
radial static load capacity:	2320 kN
bearing type:	Radial
radial dynamic load capacity:	1370 kN
lubrication type:	Maintenance Free/Self-Lubricating
operating temperature range:	-50 to +150 ° C ° F
closure type:	Triple Lip Seals
overall width:	60 mm
outer ring material:	Chrome Steel
manufacturer upc number:	7316571901169
Lubricant	Maintenance free – dry lubrication
Design (sliding contact surface combination)	Steel/PTFE fabric
Sealing solution	Triple-lip seals
	5 °
$d_k$	115 mm
$r_1$ min.	1 mm
$r_2$ min.	1 mm
$d_a$ min.	97.5 mm



## FTR BEARING WHOLESALE LTD

$d_a$ max.	98.1 mm
$D_a$ min.	113 mm
$D_a$ max.	123 mm
$r_a$ max.	1 mm
$r_b$ max.	1 mm
Basic dynamic load rating C	1370 kN
Basic static load rating $C_0$	2320 kN
Specific dynamic load factor K	300 N/mm <sup>2</sup>
Specific static load factor $K_0$	500 N/mm <sup>2</sup>
Mass plain bearing	2.75 kg