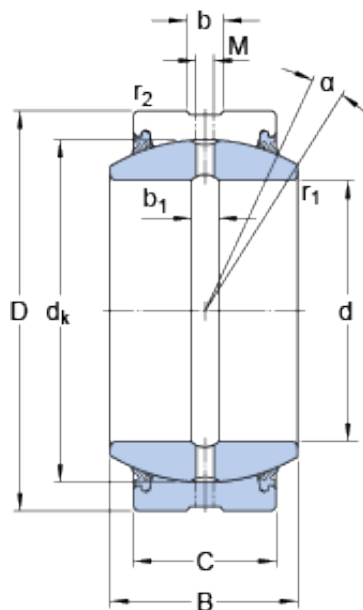




FTR BEARING WHOLESALE LTD

76.2 mm x 120.65 mm x 66.675 mm skf GEZ
300 ES-2RS Radial spherical plain bearings

Bearing No. GEZ 300 ES-2RS



GEZ 300 ES-2RS Bearing 2D drawings and 3D CAD models

Size	120.65x76.2x66.675 mm
Bore Diameter	120,65 mm
Outer Diameter	76,2 mm
Width	66,675 mm
d	76.2 mm
D	120.65 mm
B	66.675 mm
C	57.15 mm
	6 °
d _k	109.525 mm
b	9 mm
b ₁	8 mm
M	6.5 mm
r ₁ - min.	0.6 mm
r ₂ - min.	1 mm
d _a - min.	81.4 mm
d _a - max.	86.9 mm
D _a - min.	104.8 mm
D _a - max.	115 mm
r _a - max.	0.6 mm
r _b - max.	1 mm
Basic dynamic load rating - C	500 kN
Basic static load rating - C ₀	1500 kN
Specific factor dinamic load - K	100 N/mm ²



FTR BEARING WHOLESALE LTD

Specific factor static load - K_0	300 N/mm ²
Constant - K_M	330
Size	76.2x120.65x66.675 mm
Bore Diameter	76,2 mm
Outer Diameter	120,65 mm
Width	66,675 mm
d	76.2 mm
D	120.65 mm
B	66.675 mm
C	57.15 mm
	6 °
d_k	109.525 mm
b	9 mm
b_1	8 mm
M	6.5 mm
r_1 - min.	0.6 mm
r_2 - min.	1 mm
d_a - min.	81.4 mm
d_a - max.	86.9 mm
D_a - min.	104.8 mm
D_a - max.	115 mm
r_a - max.	0.6 mm
r_b - max.	1 mm
Basic dynamic load rating - C	500 kN
Basic static load rating - C_0	1500 kN
Specific factor dynamic load - K	100 N/mm ²
Specific factor static load - K_0	300 N/mm ²
Constant - K_M	330



FTR BEARING WHOLESALE LTD

Category	Spherical Plain Bearings - Radial
Inventory	0.0
Manufacturer Name	SKF
Minimum Buy Quantity	N/A
Weight / Kilogram	3.11
EAN	7316576612381
Product Group	B04264
Self Aligning	Yes
Rolling Element	Spherical Plain
Material - Outer Member	Steel
Material - Ball	Steel
Material - Liner	Not Applicable
Relubricatable	Yes
Enclosure	2 Seals
Other Features	2 Piece Double Lip Seals Lubrication Hole and an Annular Groove in Both Rings
Long Description	3" Bore; 2-1/4" Housing Width; 4-3/4" Outside Diameter; Steel Outer Member; Steel Ball; No Liner; 2-5/8" Overall Width; Relubricatable
Inch - Metric	Inch
Category	Plain Bearings Spherical Radial
UNSPSC	31171515
Harmonized Tariff Code	8483.30.80.70
Noun	Bearing
Keyword 3	Spherical
Keyword String	Plain Spherical Radial
Manufacturer URL	http://www.skf.com
Manufacturer Item Number	GEZ 300 ES-2RS



FTR BEARING WHOLESALE LTD

Weight / LBS	6.84
Overall Width	2.625 Inch 66.675 Millimeter
Outside Diameter	4.75 Inch 120.65 Millimeter
Housing Width	2.25 Inch 57.15 Millimeter
Bore	3 Inch 76.2 Millimeter
bore diameter:	3.0000 in
outer ring width:	2.2500 in
outside diameter:	4.7500 in
grade:	Commercial/Industrial
misalignment angle:	6 °
radial static load capacity:	337213 lbf
inner ring width:	2.6250 in
radial dynamic load capacity:	112404 lbf
bearing type:	Radial
operating temperature range:	-30 to +130 ° C ° F
lubrication type:	Requires Lubrication
overall width:	2.6250 in
closure type:	Sealed
weight:	6.83 lbs
outer ring material:	Chrome Steel
manufacturer product page:	Click here
inner ring material:	Chrome Steel
manufacturer upc number:	7316576612381
Lubricant	Regular relubrication – grease
Design (sliding contact surface combination)	Steel/steel
Sealing solution	Double-lip seals
	6 °
d _k	109.525 mm



FTR BEARING WHOLESALE LTD

b_1	8 mm
r_1 min.	0.6 mm
r_2 min.	1 mm
d_a min.	81.4 mm
d_a max.	86.9 mm
D_a min.	104.8 mm
D_a max.	115 mm
r_a max.	0.6 mm
r_b max.	1 mm
Basic dynamic load rating C	500 kN
Basic static load rating C_0	1500 kN
Specific dynamic load factor K	100 N/mm ²
Specific static load factor K_0	300 N/mm ²
Material constant K_M	330
Mass plain bearing	3.1 kg