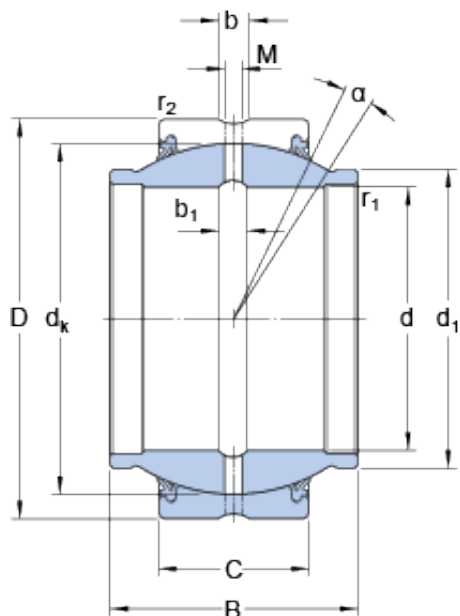




FTR BEARING WHOLESALE LTD

40 mm x 62 mm x 38 mm skf GEM 40 ES-2RS
Radial spherical plain bearings

Bearing No. GEM 40 ES-2RS



GEM 40 ES-2RS Bearing 2D drawings and 3D CAD models

Size	62x40x38 mm
Bore Diameter	62 mm
Outer Diameter	40 mm
Width	38 mm
d	40 mm
D	62 mm
B	38 mm
C	22 mm
	4 °
d _k	53 mm
d ₁	45 mm
b	3.9 mm
b ₁	3.9 mm
M	2.5 mm
r ₁ - min.	0.6 mm
r ₂ - min.	1 mm
d _a - min.	44 mm
d _a - max.	45 mm
D _a - min.	54.5 mm
D _a - max.	57.8 mm
r _a - max.	0.6 mm
r _b - max.	1 mm
Basic dynamic load rating - C	100 kN
Basic static load rating - C ₀	500 kN



FTR BEARING WHOLESALE LTD

Specific factor dinamic load - K	100 N/mm ²
Specific factor static load - K ₀	500 N/mm ²
Constant - K _M	330
Category	Spherical Plain Bearings - Radial
Inventory	0.0
Manufacturer Name	SKF
Minimum Buy Quantity	N/A
Weight / Kilogram	0.35
EAN	7316577003355
Product Group	B04264
Self Aligning	Yes
Rolling Element	Spherical Plain
Material - Outer Member	Steel
Material - Ball	Steel
Material - Liner	Not Applicable
Relubricatable	Yes
Enclosure	2 Seals
Other Features	2 Piece Extended Inner Ring on Both Sides Double Lip Seals Lubrication Hole and an Annular Groove in Both Rings
Long Description	40MM Bore; 22MM Housing Width; 62MM Outside Diameter; Spherical Plain; Steel Outer Member; Steel Ball; No Liner; 38MM Overall Width; Relubricatable
Inch - Metric	Metric
Category	Plain Bearings Spherical Radial
UNSPSC	31171515



FTR BEARING WHOLESALE LTD

Harmonized Tariff Code	8483.30.80.70
Noun	Bearing
Keyword 3	Spherical
Keyword String	Plain Spherical Radial
Manufacturer URL	http://www.skf.com
Manufacturer Item Number	GEM 40 ES-2RS
Weight / LBS	0.772
Bore	1.575 Inch 40 Millimeter
Outside Diameter	2.441 Inch 62 Millimeter
Housing Width	0.866 Inch 22 Millimeter
Overall Width	1.496 Inch 38 Millimeter
bore diameter:	40 mm
inner ring material:	Steel
outside diameter:	62 mm
outer ring width:	22 mm
misalignment angle:	4 °
radial static load capacity:	500 kN
inner ring width:	38 mm
radial dynamic load capacity:	100 kN
bearing type:	Radial
operating temperature range:	-30 to +130 ° C ° F
lubrication type:	Requires Lubrication
overall width:	38 mm
closure type:	Sealed
manufacturer upc number:	7316577003355
outer ring material:	Steel
Lubricant	Regular relubrication – grease
Design (sliding contact surface combination)	Steel/steel
Sealing solution	Double-lip seals



FTR BEARING WHOLESAL LTD

	4 °
d_k	53 mm
d_1	45 mm
b_1	3.9 mm
r_1 min.	0.6 mm
r_2 min.	1 mm
d_a min.	44 mm
d_a max.	45 mm
D_a min.	54.5 mm
D_a max.	57.8 mm
r_a max.	0.6 mm
r_b max.	1 mm
Basic dynamic load rating C	100 kN
Basic static load rating C_0	500 kN
Specific dynamic load factor K	100 N/mm ²
Specific static load factor K_0	500 N/mm ²
Material constant K_M	330
Mass plain bearing	0.35 kg