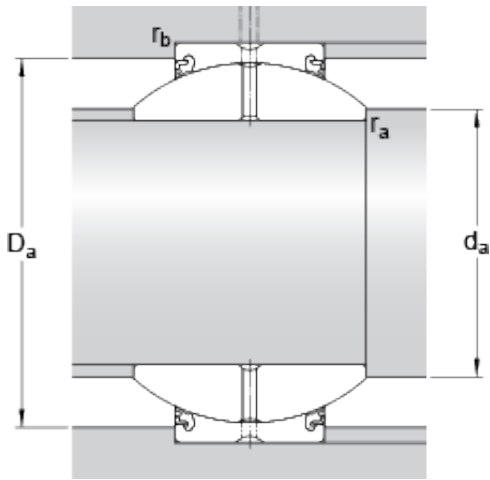




FTR BEARING WHOLESALE LTD



20 mm x 42 mm x 25 mm skf GEH 20 ESL-2LS
Radial spherical plain bearings

Bearing No. GEH 20 ESL-2LS

GEH 20 ESL-2LS Bearing 2D drawings and 3D CAD models

Lubricant	Regular relubrication – grease
Design (sliding contact surface combination)	Steel/steel, heavy-duty bearing
Sealing solution	Triple-lip seals
d	20 mm
D	42 mm
B	25 mm
C	16 mm
	17 °
d _k	35.5 mm
b	3.1 mm
b ₁	3.1 mm
M	2 mm
r ₁ min.	0.3 mm
r ₂ min.	0.6 mm
d _a min.	22.7 mm
d _a max.	25.2 mm
D _a min.	36.9 mm
D _a max.	39.2 mm
r _a max.	0.3 mm
r _b max.	0.6 mm
Basic dynamic load rating C	48 kN
Basic static load rating C ₀	240 kN
Specific dynamic load factor K	100 N/mm ²



FTR BEARING WHOLESALE LTD

Specific static load factor K_0	500 N/mm ²
Material constant K_M	330
Mass plain bearing	0.16 kg