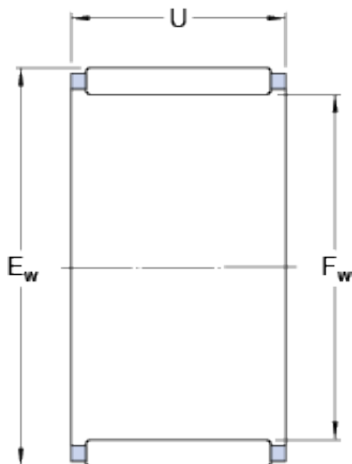




# FTR BEARING WHOLESALE LTD



## skf K 75x83x30 Needle roller bearings-Needle roller and cage assemblies

Bearing No. K 75x83x30

K 75x83x30 Bearing 2D drawings and 3D CAD models

Size	83x75x30 mm
Bore Diameter	83 mm
Outer Diameter	75 mm
Width	30 mm
F <sub>w</sub>	75 mm
E <sub>w</sub>	83 mm
U	30 mm
Basic dynamic load rating - C	0.059 kN
Basic static load rating - C <sub>0</sub>	0.143 kN
Fatigue load limit - P <sub>u</sub>	0.018 kN
Reference speed	5300 r/min
Limiting speed	6300 r/min
F <sub>w</sub>	75 mm
E <sub>w</sub>	83 mm
Basic dynamic load rating C	59.4 kN
Basic static load rating C <sub>0</sub>	143 kN
Fatigue load limit P <sub>u</sub>	18 kN
Mass needle roller and cage assembly	0.15 kg