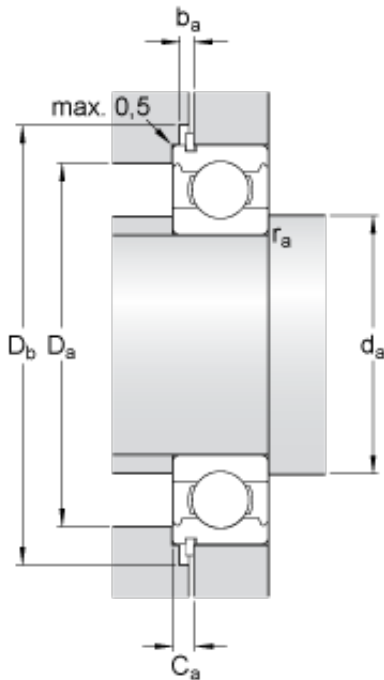




# FTR BEARING WHOLESALE LTD

70 mm x 110 mm x 20 mm skf 6014 N Deep groove ball bearings

Bearing No. 6014 N



6014 N Bearing 2D drawings and 3D CAD models

|   |             |
|---|-------------|
| d                                       | 70 mm       |
| D                                       | 110 mm      |
| B                                       | 20 mm       |
| d <sub>1</sub>                          | 82.85 mm    |
| D <sub>2</sub>                          | 99.9 mm     |
| D <sub>3</sub>                          | 106.81 mm   |
| b                                       | 2.7 mm      |
| C                                       | 2.87 mm     |
| r <sub>0</sub> max.                     | 0.6 mm      |
| r <sub>1,2</sub> min.                   | 1.1 mm      |
| d <sub>a</sub> min.                     | 76 mm       |
| D <sub>a</sub> max.                     | 104 mm      |
| D <sub>b</sub> min.                     | 118 mm      |
| b <sub>a</sub> min.                     | 3 mm        |
| C <sub>a</sub> max.                     | 5.33 mm     |
| r <sub>a</sub> max.                     | 1 mm        |
| Basic dynamic load rating C             | 39.7 kN     |
| Basic static load rating C <sub>0</sub> | 31 kN       |
| Fatigue load limit P <sub>u</sub>       | 1.32 kN     |
| Reference speed                         | 13000 r/min |
| Limiting speed                          | 8000 r/min  |
| Calculation factor k <sub>r</sub>       | 0.025       |
| Calculation factor f <sub>0</sub>       | 15.6        |
| Mass bearing                            | 0.6 kg      |