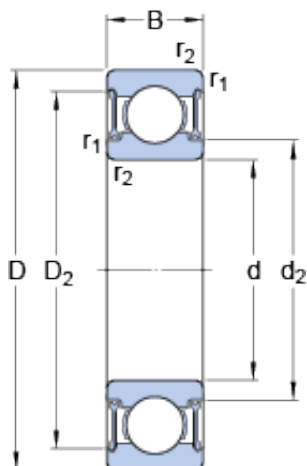




FTR BEARING WHOLESALE LTD



10 mm x 19 mm x 5 mm skf W 61800-2RZ Deep groove ball bearings

Bearing No. W 61800-2RZ

W 61800-2RZ Bearing 2D drawings and 3D CAD models

Size	19x10x5 mm
Bore Diameter	19 mm
Outer Diameter	10 mm
Width	5 mm
d	10 mm
D	19 mm
B	5 mm
d ₂	11.8 mm
D ₂	17.15 mm
r _{1,2} - min.	0.3 mm
D _a - max.	17.5 mm
r _a - max.	0.3 mm
Basic dynamic load rating - C	1.5 kN
Basic static load rating - C ₀	0.83 kN
Fatigue load limit - P _u	0.036 kN
Reference speed	80000 r/min
Limiting speed	38000 r/min
Calculation factor - k _r	0.02
Calculation factor - f ₀	14.8
d ₂	11.8 mm
D ₂	17.15 mm
r _{1,2} min.	0.3 mm
d _a min.	11.5 mm
d _a max.	11.5 mm



FTR BEARING WHOLESALE LTD

D_a max.	17.5 mm
r_a max.	0.3 mm
Basic dynamic load rating C	1.48 kN
Basic static load rating C_0	0.83 kN
Fatigue load limit P_u	0.036 kN
Calculation factor k_r	0.02
Calculation factor f_0	14.8
Mass bearing	0.0053 kg